

SMART RADIATOR THERMOSTATIC HEAD THZ

DATASHEET

Product description



Smart radiator thermostatic head THZ controls heat output of one heating device: radiator or convector. It is installed on the thermostatic valve of heating device. There are adaptors for most common thermostatic valves in standard set.

THZ has colourful touch screen display showing all settings. It can be set on the display or on smartphone by mobile application Smart Life or Tuya Smart.

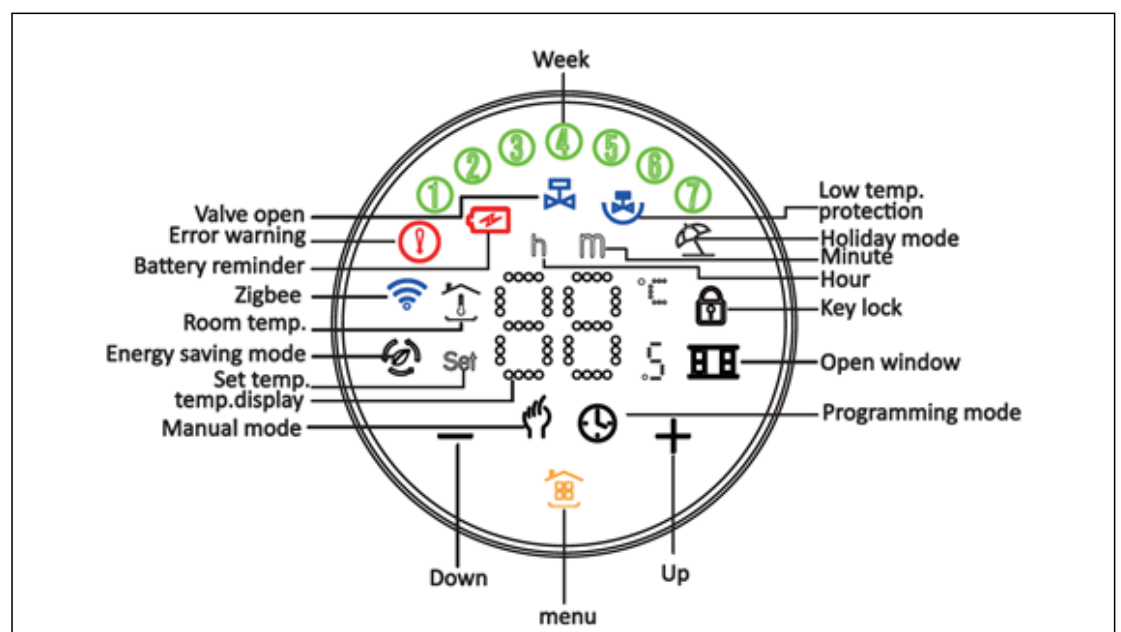
To control by mobile application the THZ must be connected to Zigbee Gateway (Konveka GZ). Zigbee communication provides reliable and battery-saving connection between THZ and Zigbee Gateway.



Main features

- Weekly program
- Economy mode
- Battery life 3-4 years
- Low temperature protection
- Open window detection
- Holiday function
- Temperature compensation
- Dead zone adjustment
- Temperature curve
- Time display
- Screen brightness adjustment

Display icons explanation



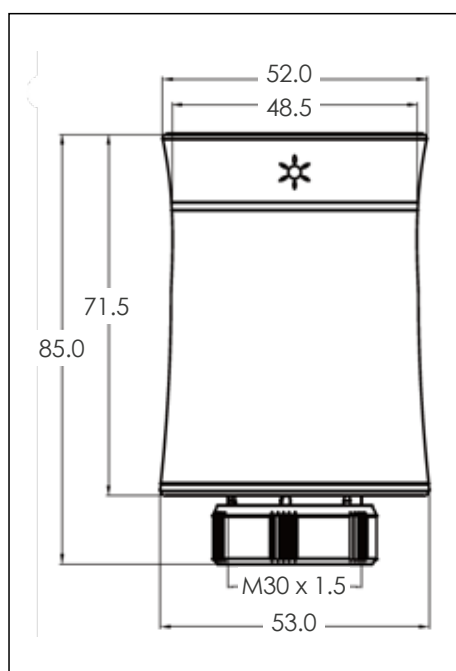
Technical specifications

Power supply	3V, 2 x AA batteries (not included)
Max stroke	4,5 mm
Temperature accuracy	± 0,5°C
Set temperature range	5 – 45°C
Display temperature range	0 – 70°C
Ambient temperature	0 - 45°C
Ambient and storage humidity	5 - 95% RH (Non - condensing)
Storage temperature	-10 to 45°C
Timing error	< 1%
Protection class	IP20
Buttons	Capacitive touch buttons
Dimensions	85 x 53 mm

Standard set

Thermostatic head	1 pc.
User Guide	1 pc.
RA adapter	1 pc.
RAV adapter	1 pc.
RAVL adapter	1 pc.
Comap adapter	1 pc.
T+A Herz adapter	1 set
Herz adapter	1 pc.

Dimensions



Warranty

The thermostatic head comes with a 24-month warranty. If the thermostat breaks down either during the warranty period or afterwards, or if you have any uncertainties, please contact us:

Telephone number	Email
+370 677 06303	sales@konveka.lt
+370 600 05968	donatas@konveka.lt